

FLANGED ROTARY SEALS

회전용씰 INSIDE DYNAMIC SEALING

Flanged rotary seal은 반드시 Open groove (Two pieces, Split groove)로 설계해야 한다.

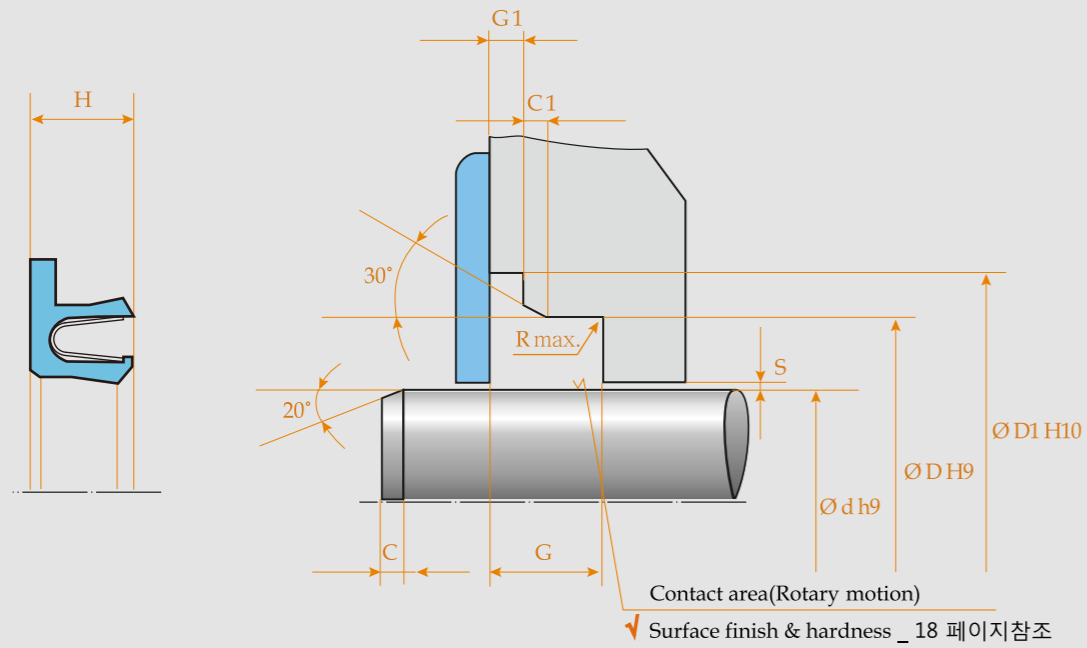


Table 5. FLANGED ROTARY SEALS 설계치수_ Installation Design Dimensions in mm

*CS No.	Rod/Shaft Diameter, ϕd , h9		ϕD , H9	$\phi D1$, H10	G min. +0.2	G1 -0.15	R max.	C min.	C1 min.	Radial Gap, Smax.		
	Standard	Non-Standard 1)								<20 bar	<100 bar	<200 bar
02	5.0 - 19.9	20.0 - 200.0	d + 4.5	d + 9.0	3.6	0.75	0.3	1.5	0.8	0.25	0.15	0.10
03	20.0 - 39.9	10.0 - 400.0	d + 6.2	d + 12.5	4.8	1.00	0.4	2.4	1.1	0.35	0.20	0.15
04	40.0 - 399.9	20.0 - 700.0	d + 9.4	d + 17.5	7.1	1.50	0.5	3.0	1.4	0.50	0.25	0.20
05	400.0 - 999.9	35.0 - 999.9	d + 12.2	d + 22.0	9.5	2.00	0.5	4.0	1.6	0.60	0.30	0.25

* CS No. : Cross Section Code No. 1) Available on request

회전용씰 ROTARY SEAL SPECIAL TYPES

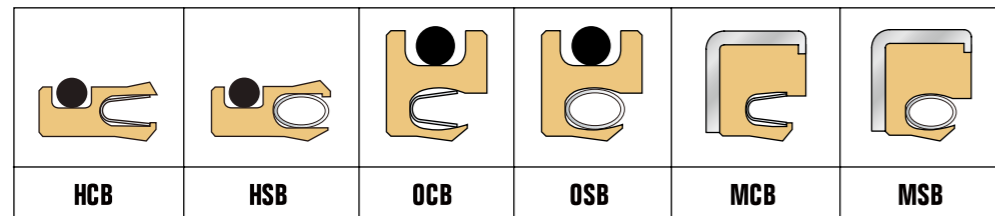


Table 6. FLANGED ROTARY SEALS

회전용씰 Standard Installation Dimensions in mm

Rod Diameter	Groove Diameter	Groove Width	Part No.
ϕd , h9	ϕD , H9	G + 0.2	
5.0	9.5	3.6	F_02 00050
6.0	10.5	3.6	F_02 00060
8.0	12.5	3.6	F_02 00080
10.0	14.5	3.6	F_02 00100
12.0	16.5	3.6	F_02 00120
14.0	18.5	3.6	F_02 00140
15.0	19.5	3.6	F_02 00150
16.0	20.5	3.6	F_02 00160
18.0	22.5	3.6	F_02 00180
20.0	26.2	4.8	F_03 00200
22.0	28.2	4.8	F_03 00220
25.0	31.2	4.8	F_03 00250
28.0	34.2	4.8	F_03 00280
30.0	36.2	4.8	F_03 00300
32.0	38.2	4.8	F_03 00320
35.0	41.2	4.8	F_03 00350
40.0	49.4	7.1	F_04 00400
42.0	51.4	7.1	F_04 00420
45.0	54.4	7.1	F_04 00450
48.0	57.4	7.1	F_04 00480
50.0	59.4	7.1	F_04 00500
52.0	61.4	7.1	F_04 00520
55.0	64.4	7.1	F_04 00550
56.0	65.4	7.1	F_04 00560
60.0	69.4	7.1	F_04 00600
63.0	72.4	7.1	F_04 00630
65.0	74.4	7.1	F_04 00650
70.0	79.4	7.1	F_04 00700
75.0	84.4	7.1	F_04 00750
80.0	89.4	7.1	F_04 00800
85.0	94.4	7.1	F_04 00850
90.0	99.4	7.1	F_04 00900
95.0	104.4	7.1	F_04 00950
100.0	109.4	7.1	F_04 01000
110.0	119.4	7.1	F_04 01100
115.0	124.4	7.1	F_04 01150
120.0	129.4	7.1	F_04 01200
125.0	134.4	7.1	F_04 01250
130.0	139.4	7.1	F_04 01300
135.0	144.4	7.1	F_04 01350
140.0	149.4	7.1	F_04 01400
150.0	159.4	7.1	F_04 01500
160.0	169.4	7.1	F_04 01600
170.0	179.4	7.1	F_04 01700
180.0	189.4	7.1	F_04 01800
190.0	199.4	7.1	F_04 01900
200.0	209.4	7.1	F_04 02000

Rod Diameter	Groove Diameter	Groove Width	Part No.
ϕd , h9	ϕD , H9	G + 0.2	
210.0	219.4	7.1	F_04 02100
220.0	229.4	7.1	F_04 02200
230.0	239.4	7.1	F_04 02300
240.0	249.4	7.1	F_04 02400
250.0	259.4	7.1	F_04 02500
280.0	289.4	7.1	F_04 02800
300.0	309.4	7.1	F_04 03000
320.0	329.4	7.1	F_04 03200
350.0	359.4	7.1	F_04 03500
360.0	369.4	7.1	F_04 03600
400.0	412.2	9.5	F_05 04000
420.0	432.2	9.5	F_05 04200
450.0	462.2	9.5	F_05 04500
480.0	492.2	9.5	F_05 04800
500.0	512.2	9.5	F_05 05000
600.0	612.2	9.5	F_05 06000
700.0	712.2	9.5	F_05 07000

Ordering Part No. Example : **FSB02 00100 P09 SSM []**

- Type & Cross section code
- Shaft diameter, $\phi 10 \times 10$
- Jacket material code (page 05.)
- Spring type & material code (page 05.)
- Options

